

Wing



+Halle®

Wing

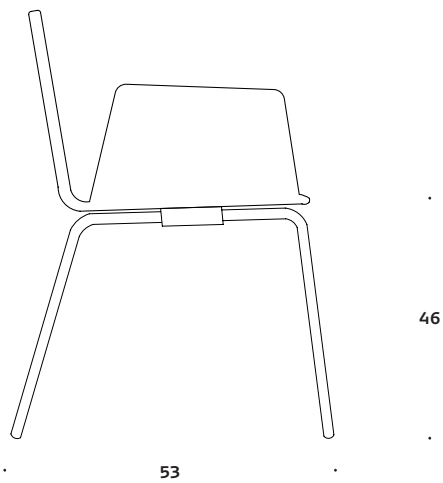
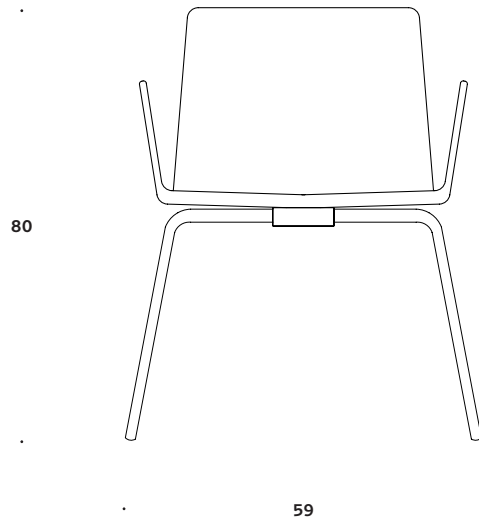
Wing is a minimalistic yet comfortable conference chair that suits into all kinds of modern spaces. The upholstery of the form pressed back, seat and armrest is comfortable but implemented in a minimal dimension that gives Wing a light and contemporary expression, without compromising the degree of comfort. Perfect for the conference room and for waiting areas.

Designed by Mikkel Westfall

Mikkel Westfall is a progressive designer with a strong architectural background. He always takes his starting point in people - and strive to design furniture, buildings and spaces that suit contemporary and future needs.

Mikkel is partner in Danish architecture company Aarstidernes Arkitekter.





Dimensions defined in centimeters

Design

Mikkel Westfall

Materials

High quality foam on form pressed plywood. Legs in polished chrome

Fabric

Available in a range of various fabrics and leather types

Notes

A large grid of small dots for taking notes.

Creating human spaces

+Halle is a Danish high quality design furniture brand. We strive to add value to public areas by contributing to the creation of Human Spaces. The basic idea behind +Halle can be put down to a basic understanding of people.